

GRACEPORT® STAINLESS STEEL HOUSINGS

Durable design to
protect electrical assets

JB7 Housing

M6 Housing



GRACEPORT® STAINLESS STEEL HOUSING FEATURES

- Our Stainless Steel Housings provide thru-door access to programming devices with enhanced compliance to NFPA 70E electrical safety standards.
- Modifications and customization available to accommodate a wide variety of additional connectors within our GracePort® Stainless Steel Housings.
- GracePort® Stainless Steel Housings feature either an extended or our new low-profile design and padlockable option for convenience and safety.
- Each housing provides secure tool-entry access with a quarter turn latch or a screw-down clamp that allows for the GracePort® components to be protected and secured.

FOR MORE INFORMATION VISIT GRACEPORT.COM OR CALL **1.800.280.9517**



Actual product certification will vary
with component selection.



M6 Housing

OPERATION

GracePort® Stainless Steel Housings protect all the components, circuit breakers and power options featured on our fully customizable GracePort®. By placing components within a Stainless Steel Housing, qualified personnel can ensure ultimate protection while programming through closed doors. The durable design mounts securely to the outside of an enclosure and provides protection for valuable components from dust, dirt, oil, water, and other environmental contaminants found in highly corrosive industrial settings.

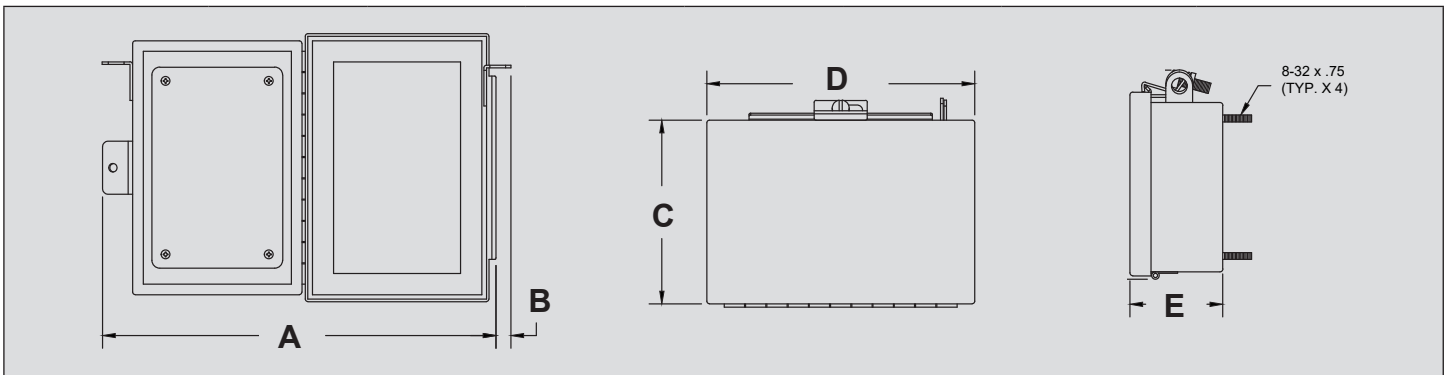


JB7 Housing

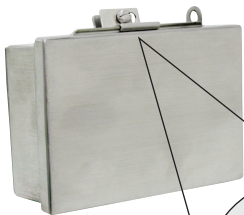
The **M6 Stainless Steel Housings** are UL Listed, IP69K rated, and are the perfect solution for enclosures with limited space. The extended profile on the M6 housings accommodate for any additional component wiring within the electrical enclosure. A padlockable door with a screw-down clamp provides tool access for qualified personnel.

The **JB7 Stainless Steel Housing** features a low profile for tight spots. Like the M6, the JB7 housing features tool entry with a quarter-turn latch and padlock ability for restricted access.

M6 STAINLESS STEEL HOUSING SPECIFICATIONS



HOUSING CODE	A	B	C	D	E	STAINLESS STEEL USED	ENVIRONMENTAL RATING
M6	9.29 (236.1)	0.35 (9.0)	4.34 (110.2)	6.33 (160.8)	2.20 (55.8)	#316	4X (UL Listed, IP69K)



M6 HOUSING DETAILS

The extended profiles featured on the **M6 housings** provide the perfect solution for enclosures with limited space. Within the electrical enclosure, the extended profile accommodates for any additional component wiring.

The housing itself features a 1-1/4" screw-down clamp for tool entry and the padlockable door restricts access to the GracePort® within the protective housing.

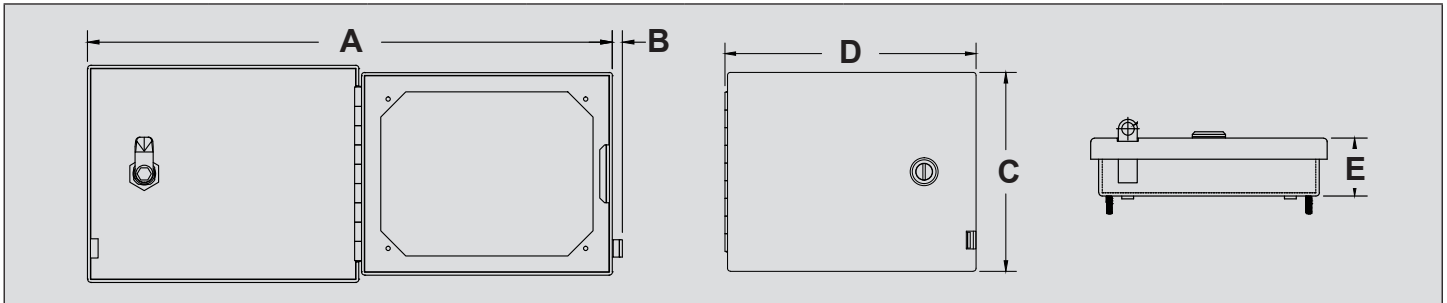
FOR MORE INFORMATION VISIT GRACEPORT.COM OR CALL 1.800.280.9517

© Grace Technologies, Inc. All rights reserved. Specifications are subject to change with/without notice.



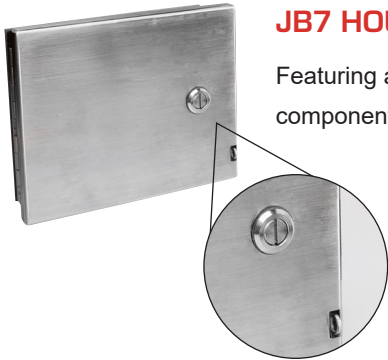
Actual product certification will vary with component selection.

JB7 STAINLESS STEEL HOUSING SPECIFICATIONS (NON-UL RECOGNIZED)



HOUSING CODE	A	B	C	D	E	STAINLESS STEEL USED	ENVIRONMENTAL RATING
JB7	13.60 (345.5)	0.26 (6.6)	5.63 (142.9)	7.10 (180.4)	1.38 (34.9)	#304	NEMA TYPE 4*

*Not UL Recognized



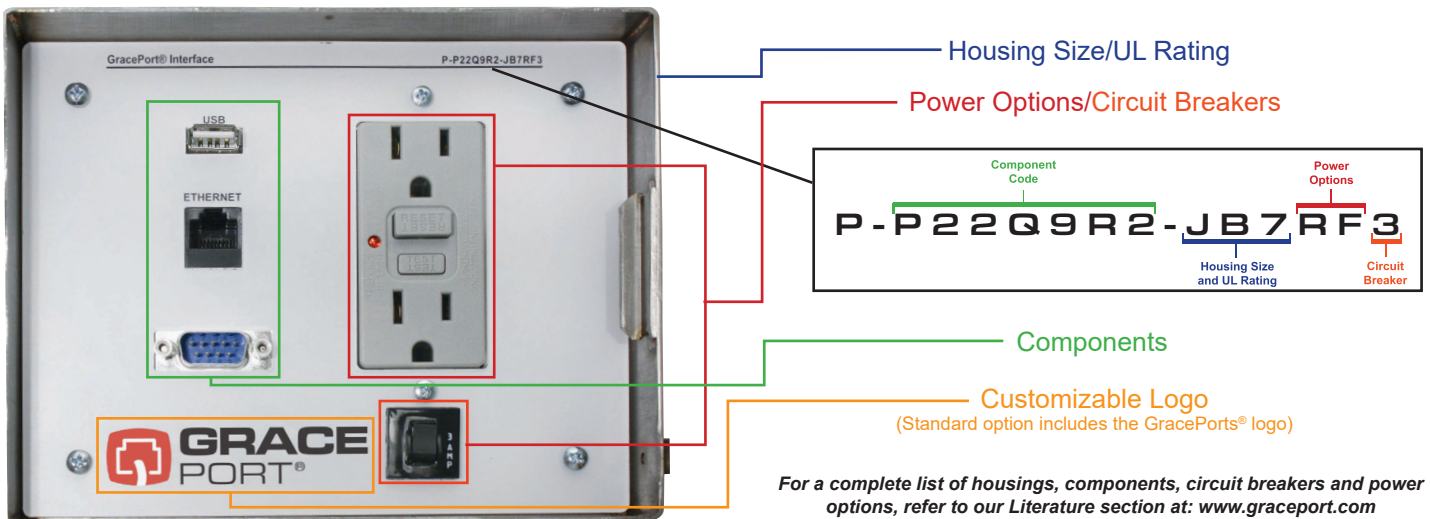
JB7 HOUSING DETAILS

Featuring a lower profile, the **JB7** is the perfect solution for tight spaces and allows for GracePort® components to be safely enclosed within a durably designed housing.

The quarter-turn latch allows for tool entry and the housing itself can be padlocked for an additional layer of security.

CUSTOMIZABLE GRACEPORT® OPTIONS

GracePort® customization provides the ability to select specific configurations to meet your precise needs. Choose from our expansive line of components, circuit breakers and power options and select the appropriate Stainless Steel Housing to place them in. Customers can also request special text and company logos to be printed on the faceplate of the GracePort®.



For a complete list of housings, components, circuit breakers and power options, refer to our Literature section at: www.graceport.com

FOR MORE INFORMATION VISIT GRACEPORT.COM OR CALL 1.800.280.9517

© Grace Technologies, Inc. All rights reserved. Specifications are subject to change with/without notice.

FREQUENTLY ASKED QUESTIONS

Q: Where should I use this?

A: Stainless Steel housings are applicable in industrial settings where corrosion may occur. The water resistant seal on the housings also make them great for wet or moist settings. Contact your representative to find a housing solution to match your environmental needs.

Q: What are some typical applications?

A: Stainless steel housings are applicable in many industries including: water treatment, chemical, pharmaceutical, dairy, food and beverage, oil and gas. Contact your representative to find a housing solution to match your industry specific needs.

Q: Are these housings waterproof or water resistant?

A: The stainless steel housing gasket provides a great seal from outside contaminants, however, they are not meant to be fully submerged in water.

Q: What are the main differences between the NEW JB7 model and the M6 model?

A: The JB7 housing is non-UL, NEMA Type 4 and has a low profile. It also features a quarter-turn latch for tool entry. The M6 housings are UL Listed, Type 4X, IP69K rated and have an expanded profile, accommodating more space for additional wiring.

Q: Are all the stainless steel housings UL Recognized?

A: The M6 housings are UL Listed. Actual product certification will depend on component selection.

Q: How do I ensure proper installation?

A: An installation guide is included in the product shipment. Special care should be taken to shield sensitive components from metal shavings and/or debris.

Q: What is the maximum voltage of the components that can be used within the housing?

A: Up to 600V

Q: Do Permanent Electrical Safety Devices (PESDs) work with these housings as well?

A: The Voltage Test Station will fit within the stainless steel housings and as always custom solutions are available to accommodate a variety of additional connectors and power options. Contact your local sales representative for more information and how to customize your GracePort®.

Q: Can I get my company logo printed on the faceplate?

A: Absolutely! Custom faceplate images, logos, and text options are available on the GracePort® faceplate. The recommended file resolution is 600dpi .jpg for submitted text and logos. Contact your local sales representative for more details.