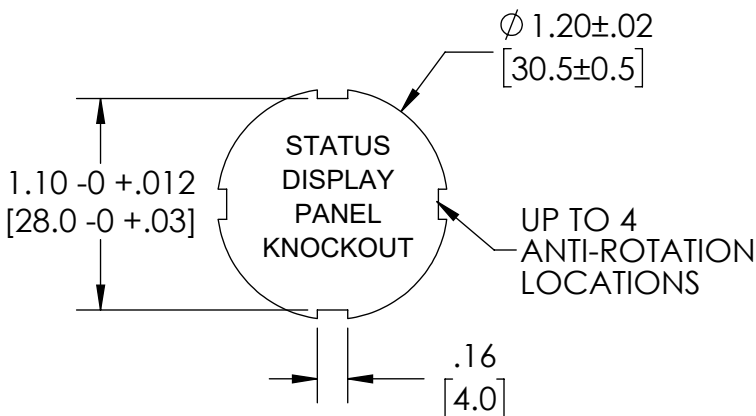


G-HSM-600T-RM-**XXXX** - **XXXX**-SD**X**

sensor 1-3 sensor 4-6
sensor voltage rating and length
status display gender



Part no.	Description
XXXX	No Sensor
0605	0.5 Meter 600v sensor
0610	1 Meter 600v sensor
0620	2 Meter 600v sensor
Contact a representative for further options. * Parts available individually	

NOTE:

- 1) REFER TO INSTALLATION INSTRUCTIONS TO ENSURE PROPER INSTALLATION.
- 2) ALWAYS FOLLOW YOUR LOCAL/FACILITY ELECTRICAL CODES AND PROCEDURES.
- 3) FOR DETAILED COMPONENT WIRING AND SPECIFICATIONS, REFER TO THE APPLICABLE DATA SHEETS.
- 4) COMPONENT LOCATIONS OUTLINED IN DRAWING ARE APPROXIMATE
- 5) CONSULT FACTORY FOR ACTUAL PRODUCT CONFORMITY, LISTINGS AND CERTIFICATIONS.