

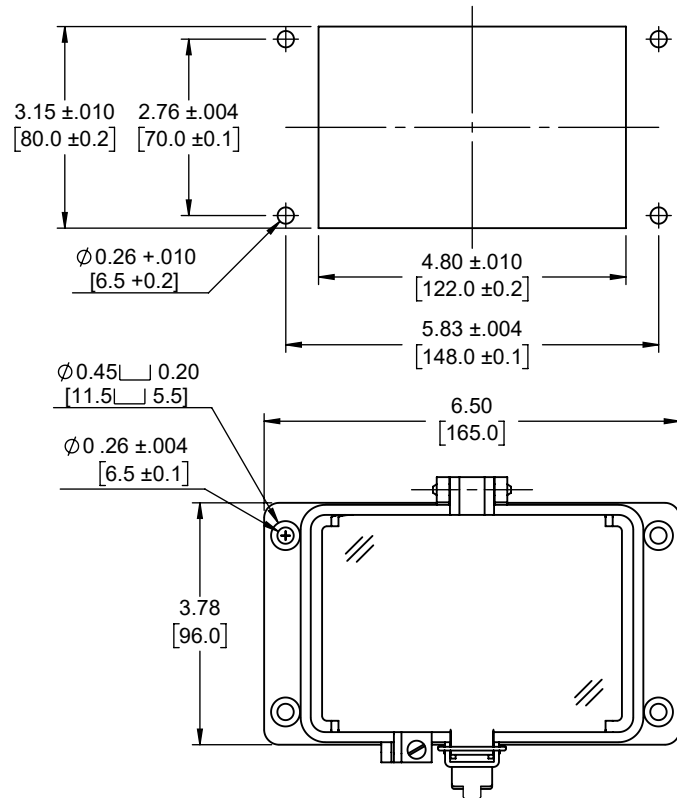
8.52
[216.4]

0.57
[14.4]

0.43
[11.0]

1.60
[40.7]

Panel Cutout



3.15 ±0.10 [80.0 ±0.2] 2.76 ±0.004 [70.0 ±0.1]

∅0.26 +0.10 [6.5 ±0.2]

4.80 ±0.10 [122.0 ±0.2]

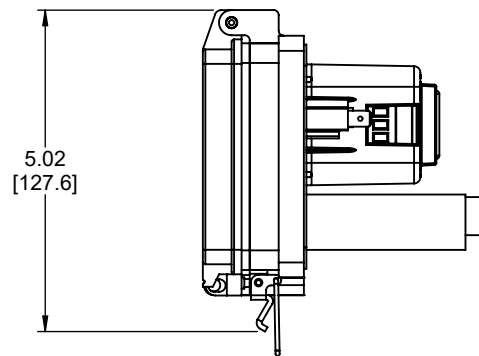
5.83 ±0.004 [148.0 ±0.1]

∅0.45 [11.5] 0.20 [5.5]

6.50 [165.0]

∅0.26 ±0.004 [6.5 ±0.1]

3.78 [96.0]



5.02 [127.6]

NOTE:

- 1) REFER TO INSTALLATION INSTRUCTIONS TO ENSURE PROPER INSTALLATION.
- 2) ALWAYS FOLLOW YOUR LOCAL/FACILITY ELECTRICAL CODES AND PROCEDURES.
- 3) FOR DETAILED COMPONENT WIRING AND SPECIFICATIONS, REFER TO THE APPLICABLE DATA SHEETS.
- 4) COMPONENT LOCATIONS OUTLINED IN DRAWING ARE APPROXIMATE
- 5) FOR ACTUAL PRODUCT CONFORMITY, LISTINGS AND CERTIFICATIONS, REFER TO FINISHED PRODUCT FACEPLATE DRAWING, OR CONSULT FACTORY.